

RECESSED *GB45RC2 LUMINAIRE MOUNTING SYSTEMS

Ceiling System Product Code Building

The Designation Consists of 3 or 4 Digits:

A) The First 2 Digits Designate The Ceiling System

B) The Third Digit (T) Designates Optional Tegular Tile

C) The Last Digit Designates The Fixture Attachment Method

Example
T9 T W

	T = Tegular Tile	R = Rod 1/4-20	W = Wire	U = U Brckt.	P = Perimeter
T9 = 9/16" Flat T Bar	O	O	D	NA	O
T1 = 15/16" Flat T Bar	O	O	D	NA	O
TS = Slot Grid	D	O	D	NA	O
GF = Gyp Type Ceiling with Cover Flange	NA	D	O	O - *D	O
GM = Gyp Type Ceiling with Mud Flange	NA	D	O	O - *D	O
NF = No Cover Flange	NA	D	O	O	NA

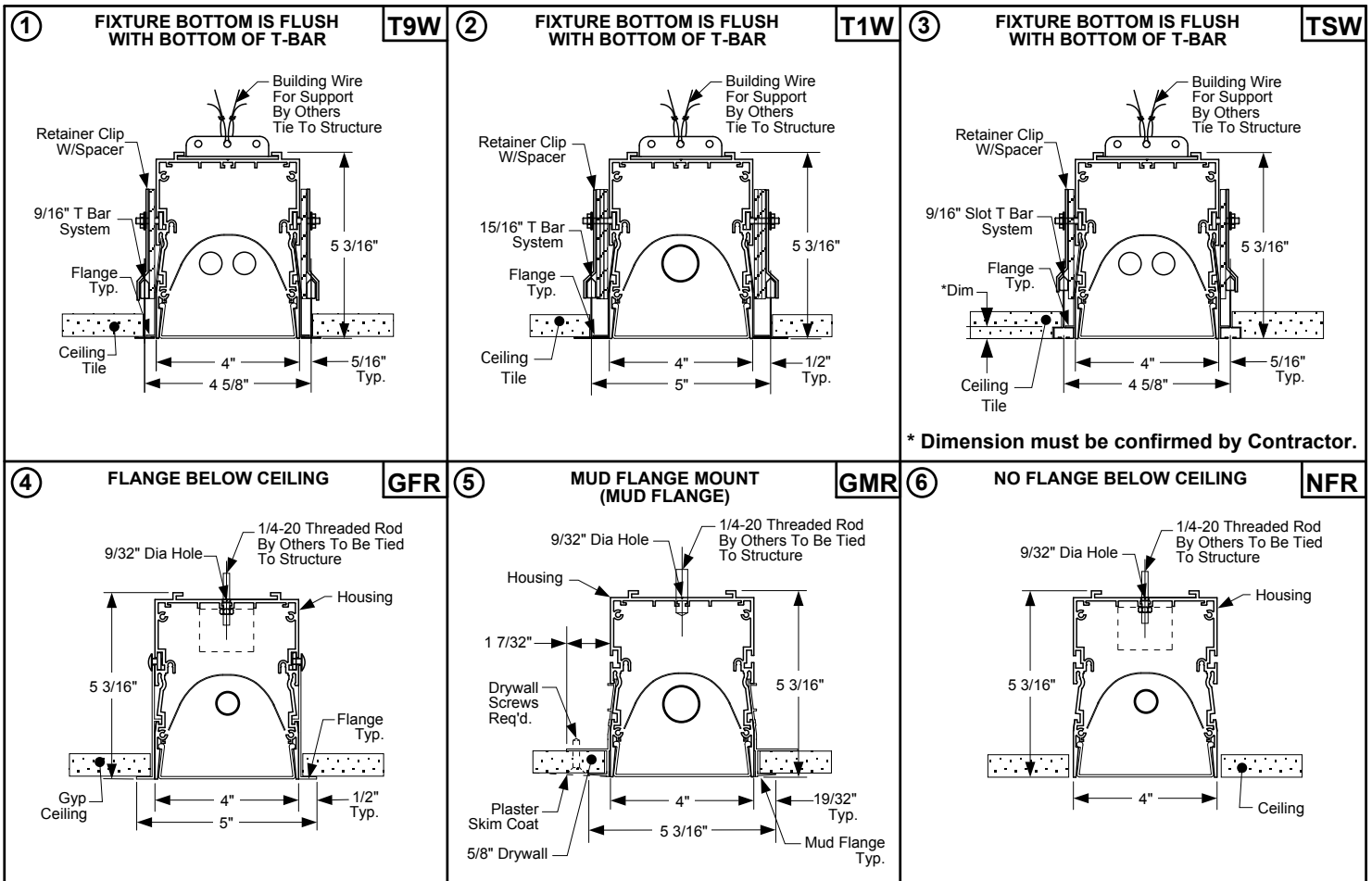
Partial Product Code - Examples:

- ① GB45RC2 - 228T5 - 120V ERS - 4' - REC/T9W - - - -
- ② GB45RC2 - 132T8 - 120V ERS - 4' - REC/T1W - - - -
- ③ GB45RC2 - 228T5 - 120V ERS - 4' - REC/TSW - - - -
- ④ GB45RC2 - 128T5 - 120V ERS - 4' - REC/GFR - - - -
- ⑤ GB45RC2 - 132T8 - 120V ERS - 4' - REC/GMR - - - -
- ⑥ GB45RC2 - 128T5 - 120V ERS - 4' - REC/NFR - - - -

LEGEND

"D" = Default
 "O" = Optional
 "NA" = Not Available
 "*D" = Default on Vertical Wall Mount Application

Illustrations Of Default (D) Mounting Systems



*** PRODUCT CODE: GB45RC2 REPLACES GB44RC2**

RECESSED *GB45RC2 LUMINAIRE MOUNTING SYSTEMS

Partial Product Code - Examples:

- (A) GB45RC2 - 228T5 - 120V ERS - 4' - REC/T9R - - - - -
- (B) GB45RC2 - 128T5 - 120V ERS - 4' - REC/T1TW - - - - -
- (C) GB45RC2 - 132T8 - 120V ERS - 4' - REC/T1P - - - - -
- (D) GB45RC2 - 228T5 - 120V ERS - 4' - REC/T9TW - - - - -
- (E) GB45RC2 - 132T8 - 120V ERS - 4' - REC/GMU - - - - -
- (F) GB45RC2 - 132T8 - 120V ERS - 4' - REC/GFU - - - - -

Illustrations Of Optional & Default (O & D) Mounting Systems

<p>(A) FIXTURE BOTTOM IS FLUSH WITH BOTTOM OF T-BAR T9R</p>	<p>(B) FLAT 15/16" T BAR WITH TEGULAR TILE (Bottom Of Fixture Flush with Bottom of Tile) T1TW</p> <p style="text-align: center;">* Dimension must be confirmed by Contractor.</p>
<p>(C) RECESSED/PERIMETER T1P</p> <p style="text-align: center;">Perimeter mounting system can be used with either gyp ceiling or T-bar system.</p>	<p>(D) FLAT 9/16" T BAR WITH TEGULAR TILE (Bottom Of Fixture Flush with Bottom of Tile) T9TW</p> <p style="text-align: center;">* Dimension must be confirmed by Contractor.</p>
<p>(E) RECESSED-Vertically in Wall GMU</p>	<p>(F) RECESSED-Vertically in Wall GFU</p>

*** PRODUCT CODE: GB45RC2 REPLACES GB44RC2**