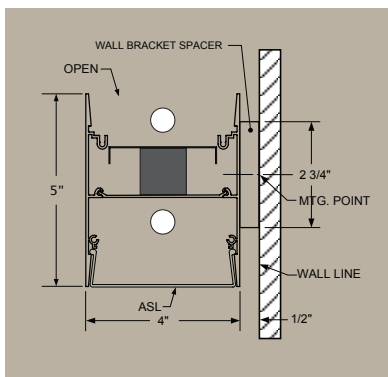
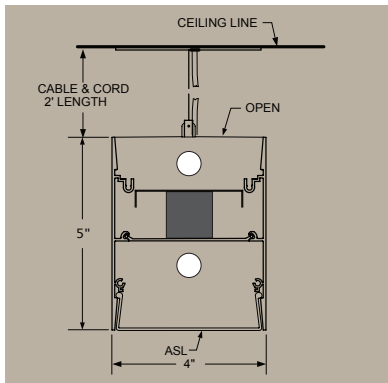


GB45B G-Beam Series

GB45B-1/128T5 G-Beam Series Suspended/Wall Spacer Mount Direct/Indirect Illumination

Specifications



Housing Construction

- Housing shall be constructed of 6063T5 extruded aluminum, 0.070" minimum thickness. Available in one piece, unbroken lengths up to 16' with just two points of suspension.

Ballasts/Lamps

- Ballasts shall be electronic RS <10% THD. (Standard: ERS).
Lamps shall be 28W T5 or 54W T5HO. (By others).

Optical Components

- Reflectors shall be formed diffuse aluminum, 95% reflectance with a 25 year warranty.
- Satin lens shall be 15% DR acrylic. Three levels of diffusion available.
- Acrylic prismatic lens shall be 15% DR acrylic.
- Parabolic blade baffle shall be 0.75" high with specular low brightness finish.

Performance

- Fixture shall be tested by an independent photometric laboratory. (ITL or equal).

Finish

- Housing and all exposed components shall be electrostatically sprayed with high solids aliphatic two component polyurethane to an average thickness of 2 mils. over acid etching primer. High gloss is standard. Consult with factory for semi gloss.

Mounting

- **WSP** shall be wall spacer mounted. Luminaire projection from wall shall be 4 1/2"
- Aircraft cable shall be 1/16" dia. 7x7 stranded stainless steel with machined stainless steel stopper fitting at the top end. Lower end strands are welded and ground for easy insertion into continuously adjustable cable gripper. (Specify **C**)
- Feed cord shall be straight, white 3/C, 4/C or 5/C SVT or SJT #18 AWG.
- Stems shall be 3/8" Schedule 40 pipe with top swivels. California UBC compliant stems with internal safety cables available. (Specify **SEQ**)

Standard Features

- Housing shall be completely wired with quick-connect plugs at all mating joints and 100% individually tested. No fixture disassembly or field wiring shall be required to install rows or patterns.
- Joiner system shall have automatic alignment, no loose parts, one tool to tighten 2 factory installed bolts for a hairline seam. No light leaks.
- Fixture shall bear UL/CUL labels.

Photometric Report

Coefficients of Utilization

Pending



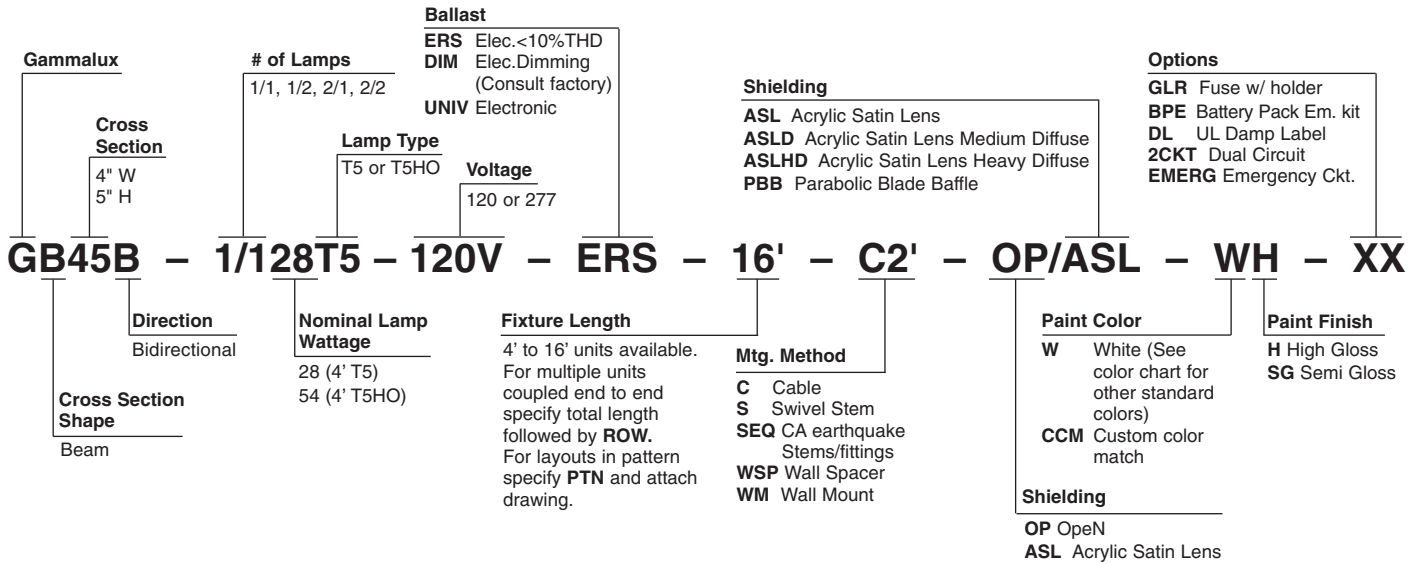
GAMMALUX®

248 East Arrow Highway San Dimas, California 91773 Tel 909.599.9669 800.356.3275 Fax 909.599.5288
E-mail: info@gammalux.com Web Site: http://www.gammalux.com

GB45B G-Beam Series

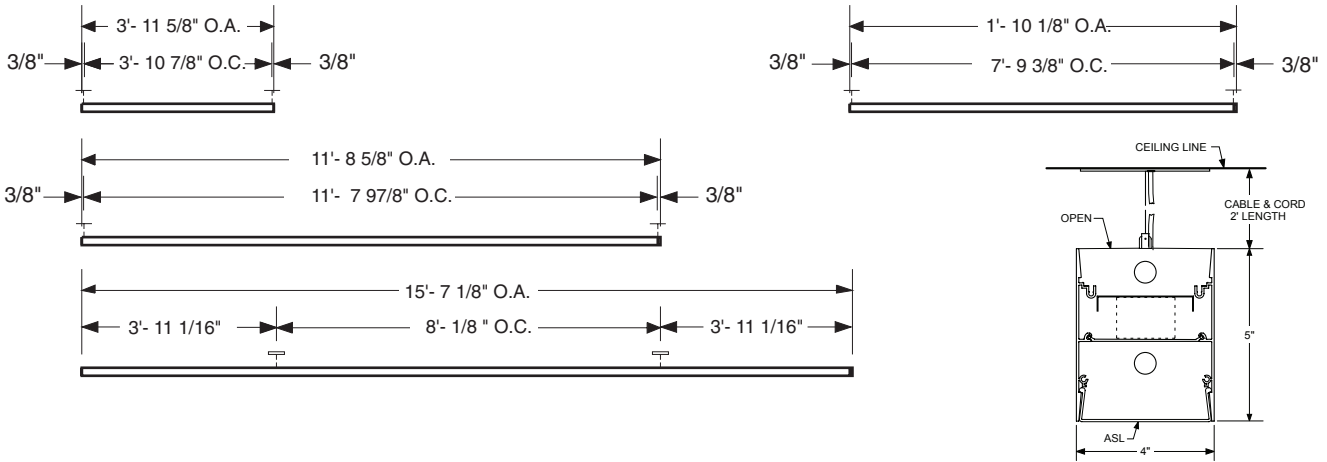
Ordering Information

Product Code



Fixture Length & Suspension Points

For individual rows of luminaires with cable or stem suspended mounting (C or S)



For individual rows of luminaires wall spacer mount (WSP)

