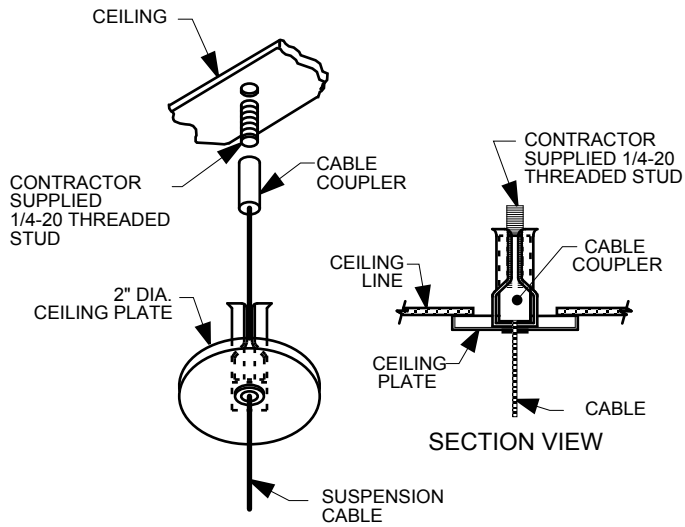
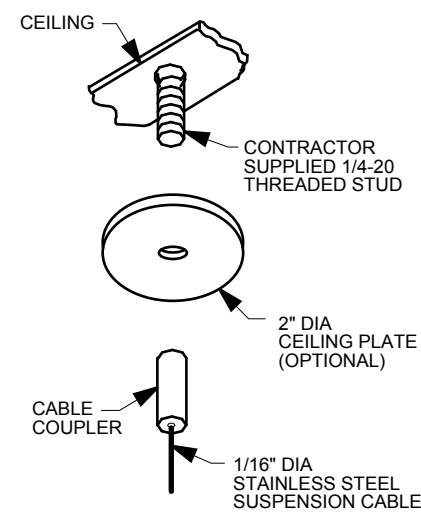


1 CANOPY CABLE ASSEMBLY GRIPPER TYPE NON-FEED LOCATION



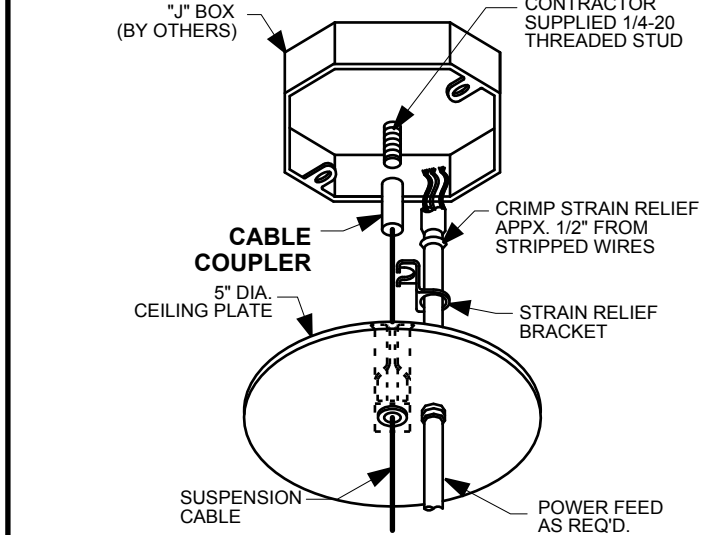
- ALL HANGING POINTS
- FEED POINTS ONLY
- NON FEED POINTS ONLY

2 2\"/>



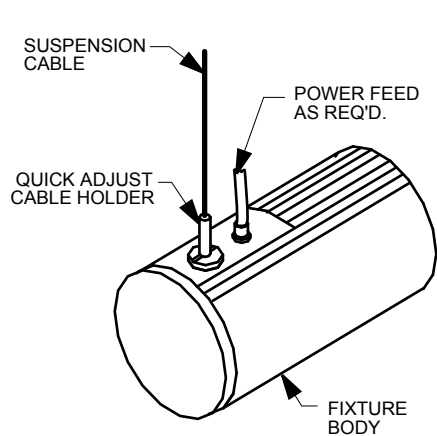
- ALL HANGING POINTS
- FEED POINTS ONLY
- NON FEED POINTS ONLY

3 CANOPY CABLE ASSEMBLY GRIPPER TYPE FEED LOCATION



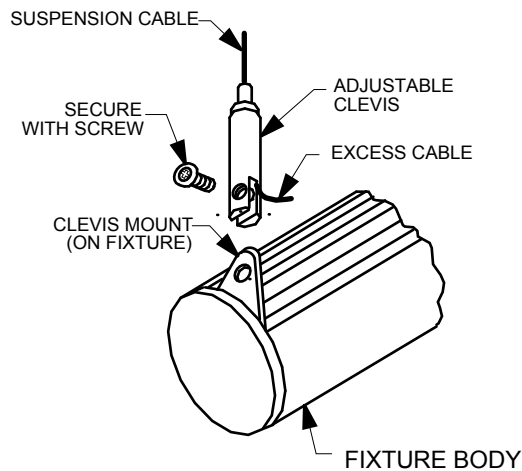
- ALL HANGING POINTS
- FEED POINTS ONLY
- NON FEED POINTS ONLY

4 QUICK ADJUSTABLE



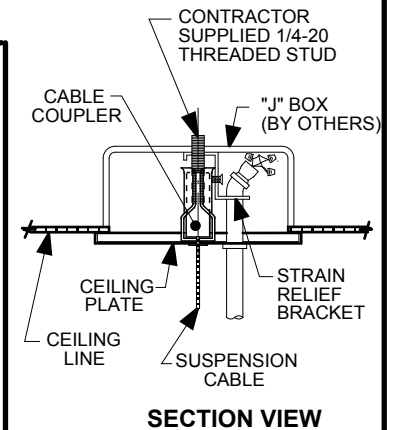
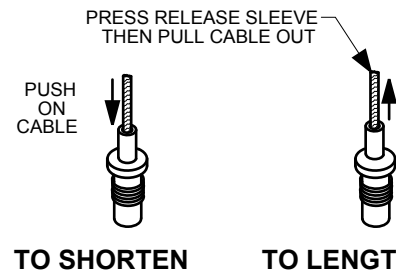
- ALL HANGING POINTS
- FEED POINTS ONLY
- NON FEED POINTS ONLY

5 CLEVIS MOUNT (QUICK ADJUSTABLE)



- ALL HANGING POINTS
- FEED POINTS ONLY
- NON FEED POINTS ONLY

6 QUICK ADJUST CABLE SYSTEM DETAIL



CABLE MOUNTING SYSTEMS

ORDER # _____
 DATE : _____
 TYPES # _____
 REV. # _____

NOTE: ALL MOUNTING HARDWARE IS TO BE SEMI GLOSS WHITE UNLESS OTHERWISE SPECIFIED.

This drawing is the property of **GAMMALUX SYSTEMS** and is protected by copyright law. It may only be copied or reproduced with prior, written authorization from **GAMMALUX SYSTEMS**.



GAMMALUX SYSTEMS
 248 E. Arrow Hwy., San Dimas CA 91773
 (909) 599-9669

DRAWING NUMBER
A-37213